



LBC 3951/11 Ceiling Loudspeaker



- ▶ Compact yet powerful
- ▶ Very wide opening angle
- ▶ Modern unobtrusive styling
- ▶ Installation friendly
- ▶ Splash - waterproof
- ▶ Comply with international installation and safety regulations

The LBC 3951/11 is a compact 6 W loudspeaker with a perforated metal grille. It has excellent audio performance and is easy to install with its integral mounting clips. The loudspeaker is IPx4 water protected from the front so it can be installed in humid environments.

Functions

The LBC 3951/11 has a perforated metal grille with a plastic surround, finished in an attractive off-white RAL color. The unobtrusive styling of this loudspeaker complements today's interior lighting.

The loudspeaker feature a very wide opening angle, which means fewer units are required to cover a given area. The wide frequency range means better speech and music reproduction. The unit is supplied with a 100 V matching transformer with taps on the primary winding for full-power, half-power, quarter-power and eighth-power radiation.

The loudspeaker (with special treated paper cone), is IPx4 water protected from the front and can be applied in humidity environments for example bathrooms, sauna's, atriums and swimming pool areas.

Certifications and Approvals

All plastic parts are manufactured from self-extinguishing high-impact ABS material (according to UL 94V0).

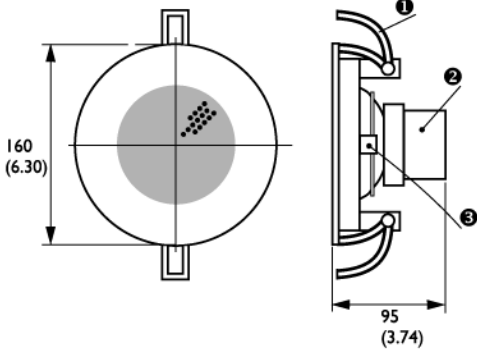
All Bosch loudspeakers are designed to withstand operating at their rated power for 100 hours in accordance with IEC 268-5 Power Handling Capacity (PHC) standards. Bosch has also developed the Simulated Acoustical Feedback Exposure (SAFE) test to demonstrate that they can withstand two times their rated power for short durations. This ensures extra reliability under extreme conditions, leading to higher customer satisfaction, longer operating life, and much less chance of failure or performance deterioration.

Safety	EN 60065
Water Protected	Acc. To EN 60529 IP x 4

Installation/Configuration Notes

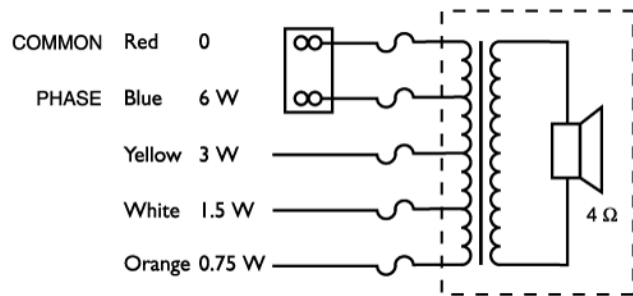
Installation is made easy with integral clips that securely hold the ceiling loudspeaker in its cut-out. Ceilings from 9 to 25 mm thick can be accommodated. A template is also provided for accurately marking the cutout in ceiling panels. Wiring is via a connection block with push-type terminals, making installation possible without using any special tools. The terminal blocks have provision for

loop-through wiring. The transformer is delivered wired for 6 W rated output power, but can easily be changed for other connections using the color-coded wires and terminal block.

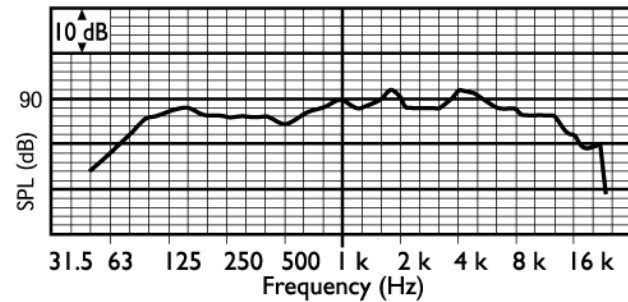


- 01 Clamp
- 02 Matching Transformer
- 03 Terminal Block

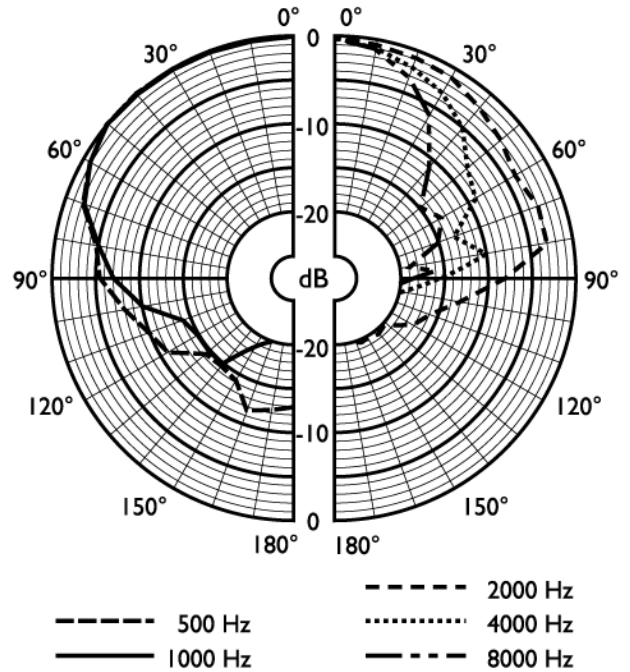
Dimensions in mm (inch)



Circuit diagram



Frequency response



Polar diagram

Octave band (Hz)	125	250	500	1k	2k	4k	8k
SPL 1.1	87	87	85	88	89	89	86
SPL max.	95	95	93	96	97	97	94
Q-factor	4	5.6	2.2	3.2	4.6	10.7	19
Efficiency	0.16	0.11	0.18	0.25	0.22	0.09	0.03
H. angle	180	180	180	170	160	80	60
V. angle	180	180	180	170	160	80	60

Quick reference table

Parts Included

Quantity	Component
1	LBC 3951/11 Ceiling Loudspeaker

Technical Specifications

Electrical*

Max. Power	9 W
Rated Power (PHC)	6 W (6 - 3 - 1.5 - 0.75 W)
Sound Pressure Level at 6 W/1 W (at 1 kHz, 1 m)	96 / 88 dB (SPL)
Effective Frequency Range	60 Hz to 18 kHz (-10 dB)
Opening Angle	170° / 80°(at 1 kHz/4 kHz, -6 dB)
Rated Voltage	100 V
Rated Impedance	1667 ohm

Mechanical

Speaker Size	101.6 mm (4 in)
Magnet Weight	3.57 oz
Connection	2-pole push connector

Dimensions

Diameter	160 mm (6.30 inch)
Max. Depth	95 mm (3.74 inch)
Ceiling Thickness	9 to 25 mm (0.35 to 0.98 inch)
Mounting Cut-Out	145 mm (5.71 inch)
Color	Off-white (RAL 9010)
Weight	670 g (1.47 lb)

Environmental

Ambient Temperature	-25°C to +55°C (-13°F to 131°F)
---------------------	---------------------------------

*) Technical performance data acc. to IEC 60268-5

Ordering Information

Model | Description

LBC 3951/11 Ceiling Loudspeaker

Hardware Accessories

LBC 1256/00 EVAC Connection Adapter
3-pole screw connector (100 pcs)

Americas:
Bosch Security Systems
130 Perinton Parkway
Fairport, New York, 14450, USA
Phone: +1 585 223 4060
Fax: +1 800 289 0096
security.sales@us.bosch.com
www.boschsecurity.us

Europe, Middle East, Africa:
Bosch Security Systems B.V.
P.O. Box 80002
5600 JB Eindhoven, The Netherlands
Phone: +31 (0) 40 27 83955
Fax: +31 (0) 40 27 86668
emea.securitysystems@bosch.com
www.boschsecurity.com

Asia-Pacific:
Bosch Security Systems Pte Ltd
38C Jalan Pemimpin
Singapore 577180
Phone: +65 6319 3450
Fax: +65 6319 3499
apr.securitysystems@bosch.com
www.boschsecurity.com

Represented by